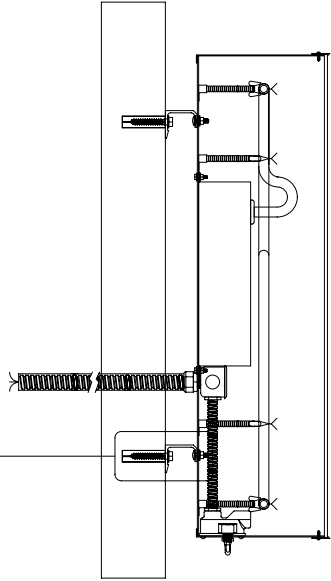
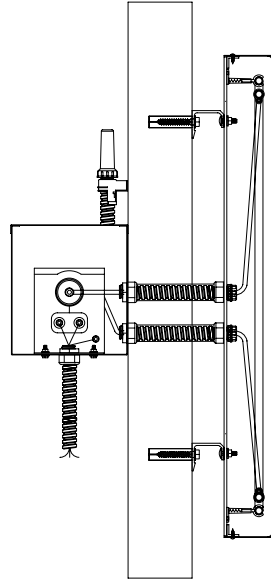


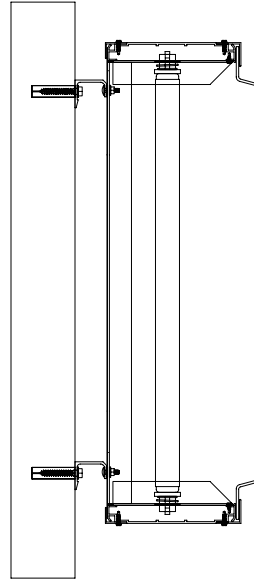
J - BRACKET TYPICAL APPLICATIONS



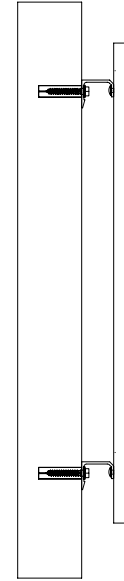
CHANNEL
LETTERS



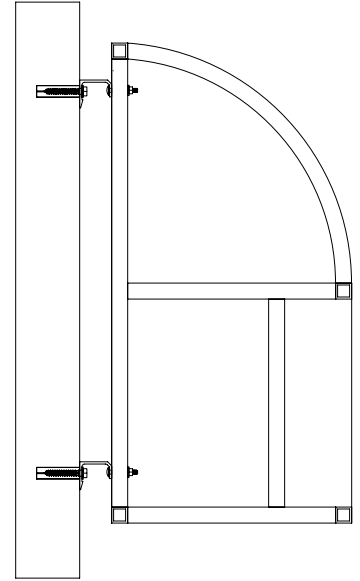
REVERSE
CHANNEL LETTERS



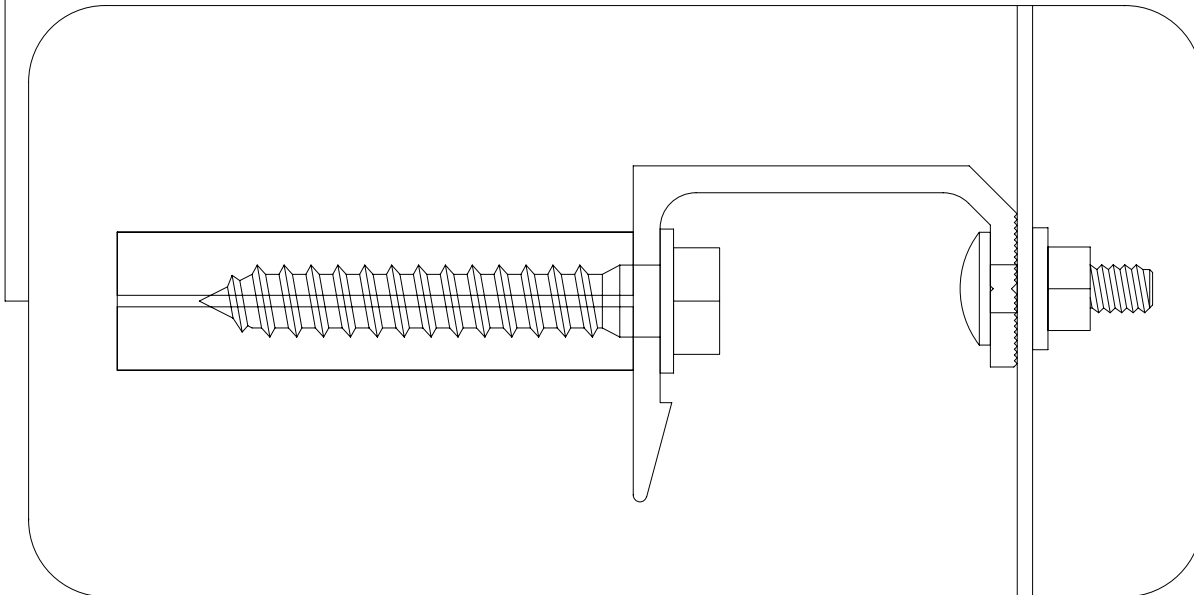
SINGLE FACE
CABINETS



MDO PANELS



AWNINGS



**Sign
Specialties
Incorporated**

120 15TH ST NE, WATERTOWN, SD 57201
PH #: (605) 886-4545 FAX #: (605) 886-5514