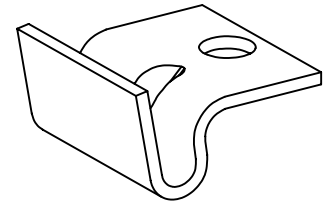
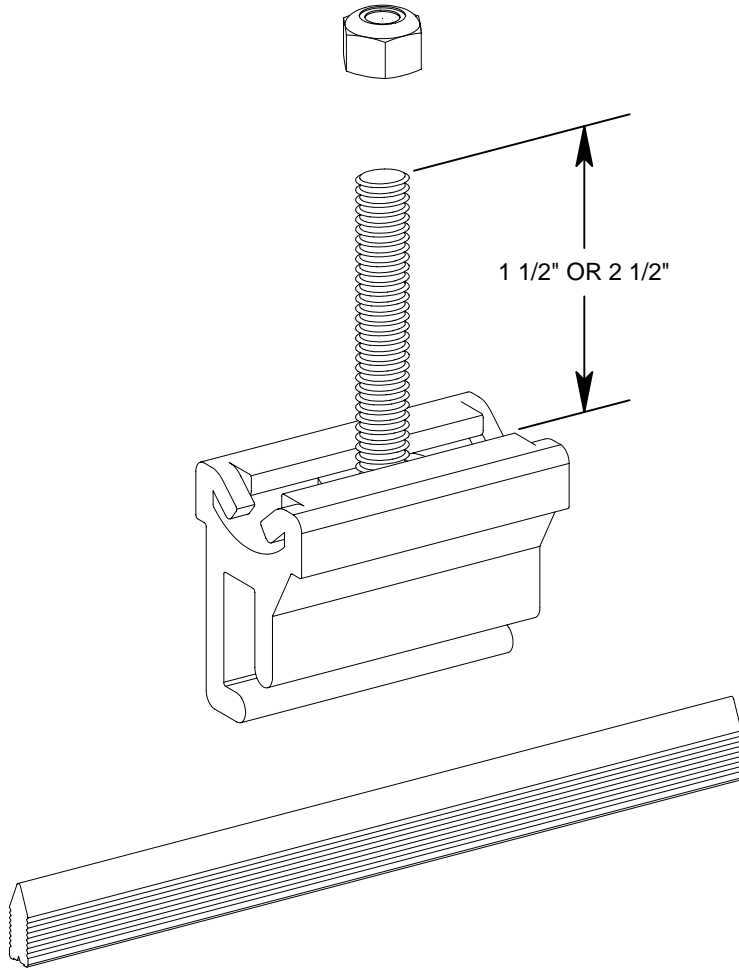


FLEXI-WEDGE CLAMP

FLEXIBLE FACE TENSIONING HARDWARE



STAINLESS STEEL
RECEIVER HOOK
(SOLD SEPARATELY)

DESCRIPTION	MODEL #
TENSIONER WITH 1 1/2" STAINLESS STEEL BOLT	FWC-15-SS
TENSIONER WITH 2 1/2" STAINLESS STEEL BOLT	FWC-25-SS
STAINLESS STEEL ATTACHMENT HOOK	FWCH-SS

* PACKAGED QTY 250 PER BOX

UL RECOGNIZED COMPONENT



7/1/08

**Sign
Specialties
Incorporated**

120 15TH ST NE, WATERTOWN, SD 57201
PH #: (605) 886-4545 FAX #: (605) 886-5514